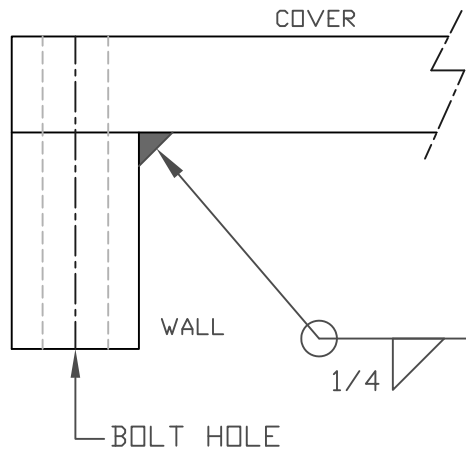
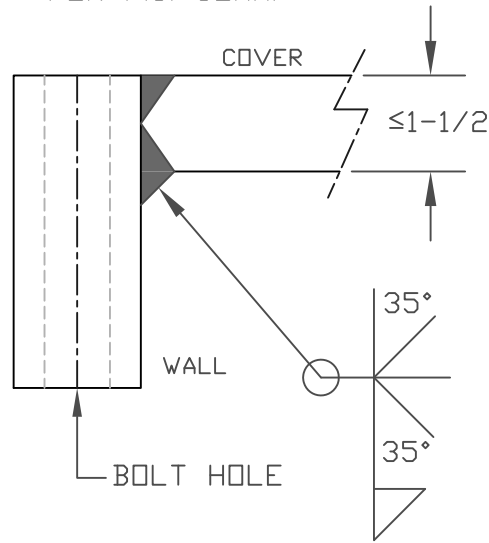


STANDARD COVER
FOR VOID FILL CLAMP



INSET COVER $\leq 1-1/2$
FOR P.S. CLAMP



INSET COVER $> 1-1/2$
FOR P.S. CLAMP

